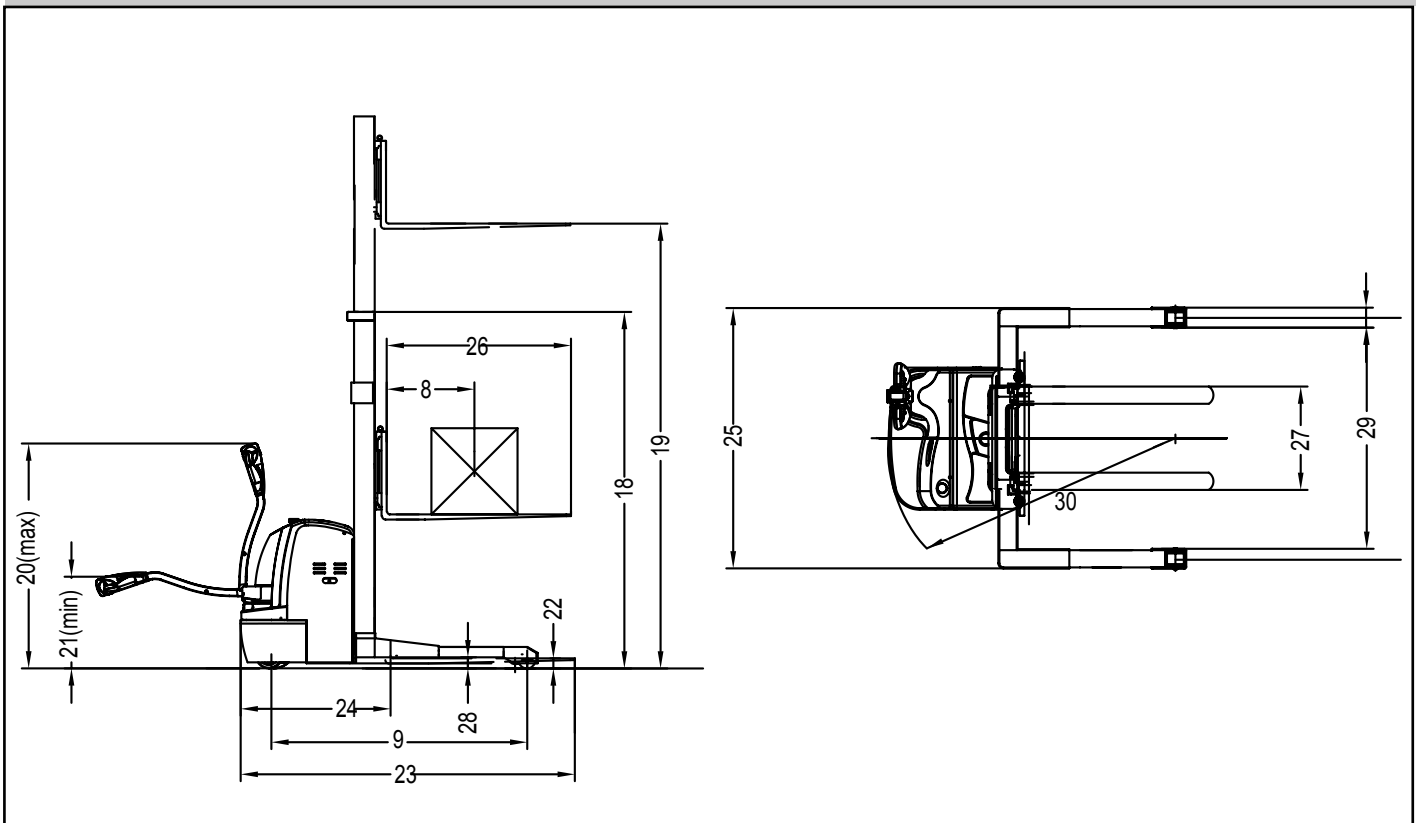


## SPECIFICATIONS: Walkie Stacker Truck

<b>CHARACTERISTICS</b>	1	Manufacturer		Doosan
	2	Model		BWS17S-7
	3	Power Type		Electric
	4	Operator Type		Walkie Stacker
	5	Load Capacity	lbs (kg)	3300 (1500)
	6	Tire Type (Drive/Load/Caster)	D/L/C	Polyurethane
	7	Wheels (x = driven)	F/R	1 x, 1/2
	8	Load Center	in (mm)	24 (600)
	9	Wheelbase	in (mm)	57.4 (1460)
<b>WEIGHT</b>	10	Total Service Weight (without battery) 130" (3300) Mast	lbs (kg)	2163 (980)
	11	Axle Loading: Loaded (Front/Rear)	lbs (kg)	2582/3200 (1170/1450)
	12	Axle Loading: Unloaded (Front/Rear)	lbs (kg)	1037/331 (470/150)
	13	Battery Weight	lbs (kg)	441 (200)
<b>CHASSIS</b>	14	Tire Compound		Polyurethane
	15	Drive Tire Dimensions	in (mm)	10 x 3 (250 x 70)
	16	Load Wheel Dimensions	in (mm)	3.23 x 6.81 (82 x 173)
	17	Caster Wheel Dimensions	in (mm)	5 x 2.4 (127 x 57)
<b>DIMENSIONS</b>	18	Mast Height Lowered: 130" (3300) Mast	in (mm)	90 (2295) STD
	19	Mast Lift Height	in (mm)	130 (3300) STD
	20	Control Handle Height (Max)	in (mm)	51.18 (1300)
	21	Control Handle Height (Min)	in (mm)	26.38 (670)
	22	Lowered Fork Height	in (mm)	2 (50)
	23	Overall Length	in (mm)	76.96 (1955)
	24	Length to Face of Forks	in (mm)	34.56 (878)
	25	Overall Width - Adjustable Base Legs (Min/Max I.D.).	in (mm)	44.96 / 60.31 (1142 - 1532)
	26	Fork Dimensions	in (mm)	1.6 x 4 x 42 (40 x 100 x 1070)
	27	Overall Fork Width (Min/Max)	in (mm)	35.43 - 51.18 (900 - 1300)
	28	Ground Clearance	in (mm)	1.10 (28)
	29	Adjustable Base Legs (Min/Max I.D.)	in (mm)	35 - 51 (889 - 1295)
<b>PERFORMANCE</b>	30	Turning Radius	in (mm)	65.6 (1640)
	31	Service Brake		Electro-Magnetic
	32	Travel Speed: Loaded/Unloaded	mph (kph)	3.6/3.7 (5.8/6)
	33	Lift Speed: Loaded/Unloaded	fps (mps)	.52 (.16) / .82 (.25)
	34	Lowering Speed: Loaded/Unloaded	fps (mps)	1.2 (.37) / 1.1 (.34)
	35	Battery Voltage Nominal Capacity: K <sub>5</sub>	V/Ah	24/200
	35	Battery Compartment: Rollout Tray Size (775 x 252 x 300)	in	30.51 x 9.94 x 11.81
	37	Control Type		24 AC

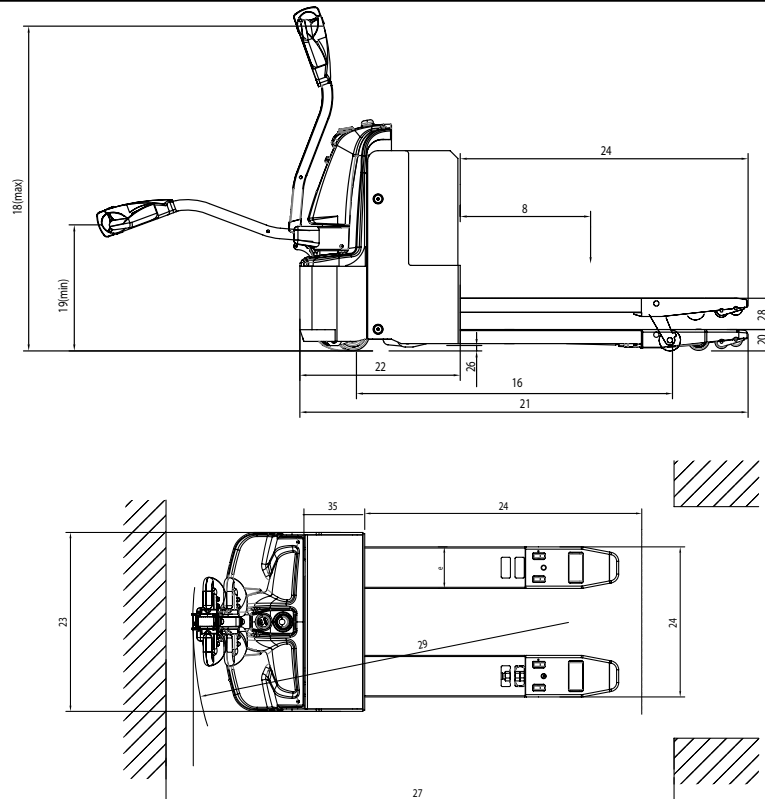
### Walkie Stacker Truck



## SPECIFICATIONS: Walkie Pallet Truck

CHARACTERISTICS	1	Manufacturer		Doosan
	2	Model		BW23S-7
	3	Power Type		AC Electric
	4	Operator Type		Walkie Pallet Truck
	5	Tire Type (Drive/Load/Caster(Optional))	D/L/C	Polyurethane
	6	Wheels (x = driven) (2 Casters Optional)		1 x (2 OPT) / 2
	7	Load Capacity	lbs (kg)	4500 (2045)
	8	Load Center	in (mm)	24 (600)
WEIGHT	9	Service Weight (without battery) 48" Forks	lbs (kg)	993 (450)
	10	Axle Loading: Loaded (Front/Rear)	lbs (kg)	3200 / 2582 (1450/1170)
	11	Axle Loading: Unloaded (Front/Rear)	lbs (kg)	331 / 1037 (150/470)
	12	Battery Weight	lbs (kg)	375 (170)
CHASSIS	13	Drive Tire Dimensions	in (mm)	10 x 3 (250 x 70)
	14	Load Wheel Dimensions	in (mm)	3.22 x 6.81 (82 x 173)
	15	Caster Wheels Dimensions(Optional)	in (mm)	5 x 2.24 (127 x 57)
	16	Wheelbase	in (mm)	52.40 (1331)
DIMENSIONS	17	Max Fork Height	in (mm)	7.95 (202)
	18	Control Handle Height (Max)	in (mm)	48.4 (1230)
	19	Control Handle Height (Min)	in (mm)	30.7(780)
	20	Fork Lowered Height	in (mm)	3.23 (82)
	21	Overall Length	in (mm)	69.88 (1775)
	22	Length to Fork Face	in (mm)	21.85 (555)
	23	Overall Width	in (mm)	30.51 (775)
	24	Forks (Thickness x Width x Length)	in (mm)	2 x 7 x 48 (54 x 180 x 1220)
	25	Overall Fork Width	in (mm)	27 (685)
	26	Ground Clearance	in (mm)	1.10 (28)
	27	Recommended Aisle Width (40 x 48 pallet)	in (mm)	84.05 (2135)
	28	Lift	in (mm)	4.72 (120)
	29	Turning Radius: Minimum Outside	in (mm)	64.96 (1650)
PERFORMANCE	30	Travel Speed: Loaded/Unloaded	mph (kph)	3.6/3.7 (5.9/6)
	31	Lift Speed: Loaded/Unloaded	ft/s (m/s)	1.78/1.98 (.045/.05)
	32	Lowering Speed: Loaded/Unloaded	ft/s (m/s)	1.98/1.78 (.05/.045)
	33	Service Brake		Electro-Magnetic
	34	Battery Connector: Lead - Position	V/Ah	SB175 Red/18/B
	35	Battery Compartment Size: W x L x H (648 x 190(218) x 584)	mm	25.5 x 7.5 x 23 25.5 x 8.6 x 23
	36	Traction Controller		AC

### Walkie Pallet Truck



# SPECIFICATIONS: Walkie Rider Pallet Truck

CHARACTERISTICS	1	Manufacturer		Doosan
	2	Model		BWR33S-7
	3	Power Type		AC Electric
	4	Operator Type		Walkie/Rider Pallet
	5	Tire Type (Drive/Load/Caster)	D/L/C	Polyurethane
	6	Wheels (x = driven)		1x, 2/2
	7	Load Capacity	lbs (kg)	6500 (3000)
	8	Load Center	in (mm)	24 (600)
WEIGHT	9	Service Weight (without battery)	lbs (kg)	1898 (860)
	10	Axle Loading: Drive Wheel	lbs (kg)	3002 (1360)
	11	Axle Loading: Load Wheel	lbs (kg)	5518 (2500)
	12	Battery Weight	lbs (kg)	662 (300)
CHASSIS	13	Drive Tire Dimensions	in (mm)	10 x 4 (250 x 100)
	14	Load Wheel Dimensions	in (mm)	3.22 x 6.81 (82 x 173)
	15	Caster Wheel Dimensions	in (mm)	5 x 2.24 (127 x 57)
	16	Ground Clearance @ Center of Wheelbase	in (mm)	1.06 (27)
	17	Wheelbase	in (mm)	58.7 (1491)
DIMENSIONS	18	Lift	in (mm)	5.31 (135)
	19	Max Fork Height	in (mm)	8.66 (220)
	20	Control Handle Height (Max)	in (mm)	54.09 (1374)
	21	Control Handle Height (Min)		40.98 (1041)
	22	Fork Lowered Height	in (mm)	3.22 (82)
	23	Overall Length	in (mm)	84.37 (2143)
	24	Length to Face of Fork	in (mm)	36.33 (923)
	25	Overall Width	in (mm)	36.85 (936)
	26	Forks: Length x Width x Thickness	in (mm)	48 x 9 x 2 (1220 x 230 x 55)
	27	Overall Fork Width	in (mm)	27 (685)
	28	Recommended Aisle Width (40 x 48 Pallet)	in (mm)	92.24 (2343)
	29	Turning Radius: Minimum Outside	in (mm)	81.5 (2070)
PERFORMANCE	30	Travel Speed: Loaded/Unloaded	mph (kph)	6.8 (10.9)
	31	Lift Speed: Loaded/Unloaded	ft/s (m/s)	1.2/1.6 (.03/.04)
	32	Lowering Speed: Loaded/Unloaded	ft/s (m/s)	2.0/1.8 (.05/.045)
	33	Battery Connector - Lead - Position	in	SB175 Red/18/B
	34	Battery Roller Height	in	6.5
	35	Battery Compartment Size (785 x 335 x 803)	in	30.9 x 13.2 x 31.61
	36	Service Brake		Electro-Magnetic
	37	Traction Control		AC
	38	Power Steering Control		AC

## Walkie Rider Pallet Truck

